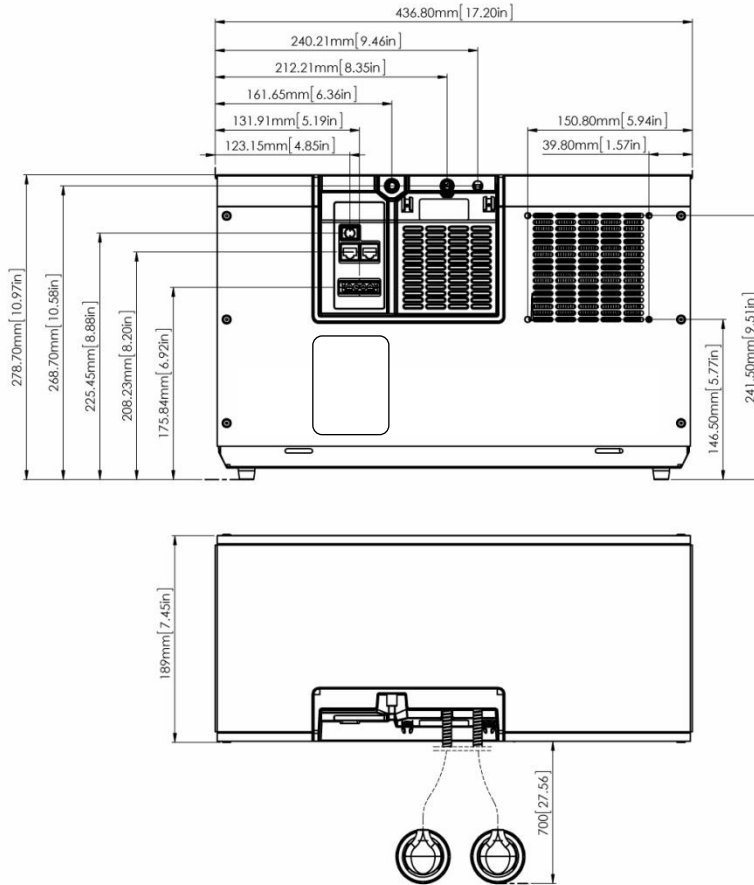
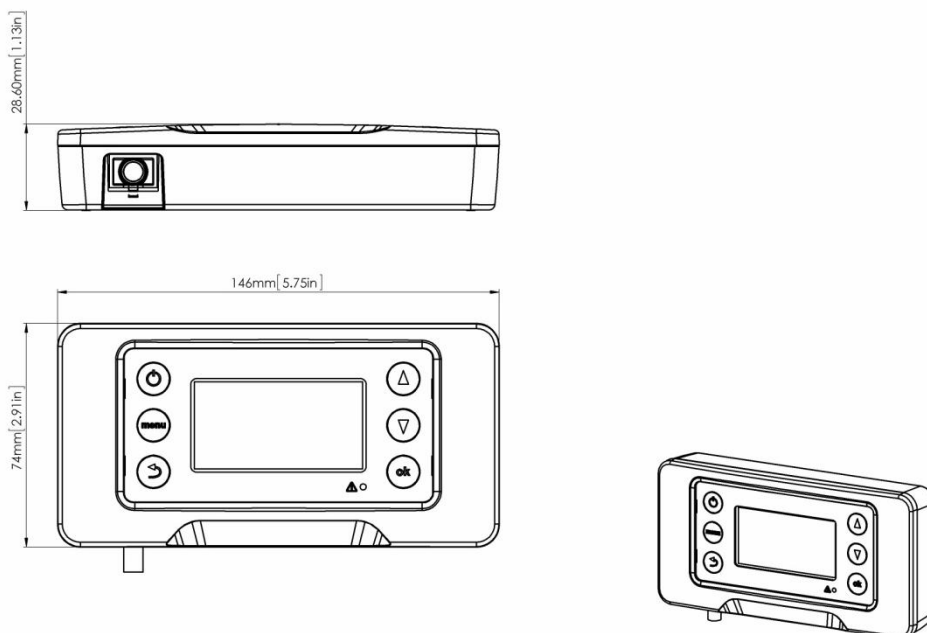


## EFOY Pro fuel cell



## Operation Panel OP2



## Exhaust Hose

Inside diameter:	6 mm (0.24 in)
Outside diameter:	10 mm (0.39 in)
Length:	1.5 m (59.05 in)

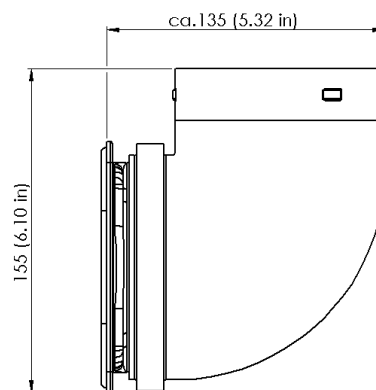
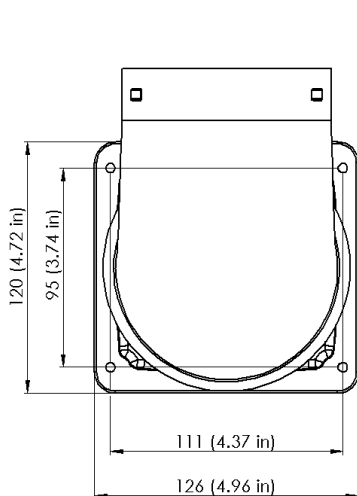
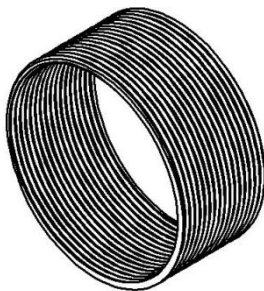
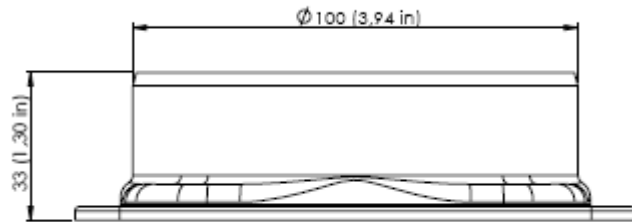
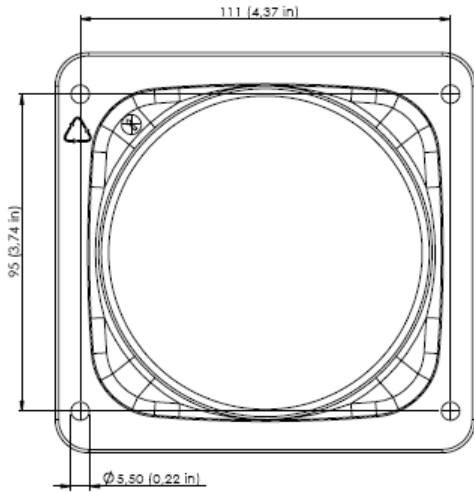
## Charge Line CL4

Connecting line to fuel cell	1 m (39.37 in)
Battery Fuse – Sense (2A) BF1	0.5 m (19.68 in)
Battery Fuse – Power (15 A) BF2	0.5 m (19.68 in)
Extension sense line	8 m (26.25 ft)
Extension power line	8 m (26.25 ft)

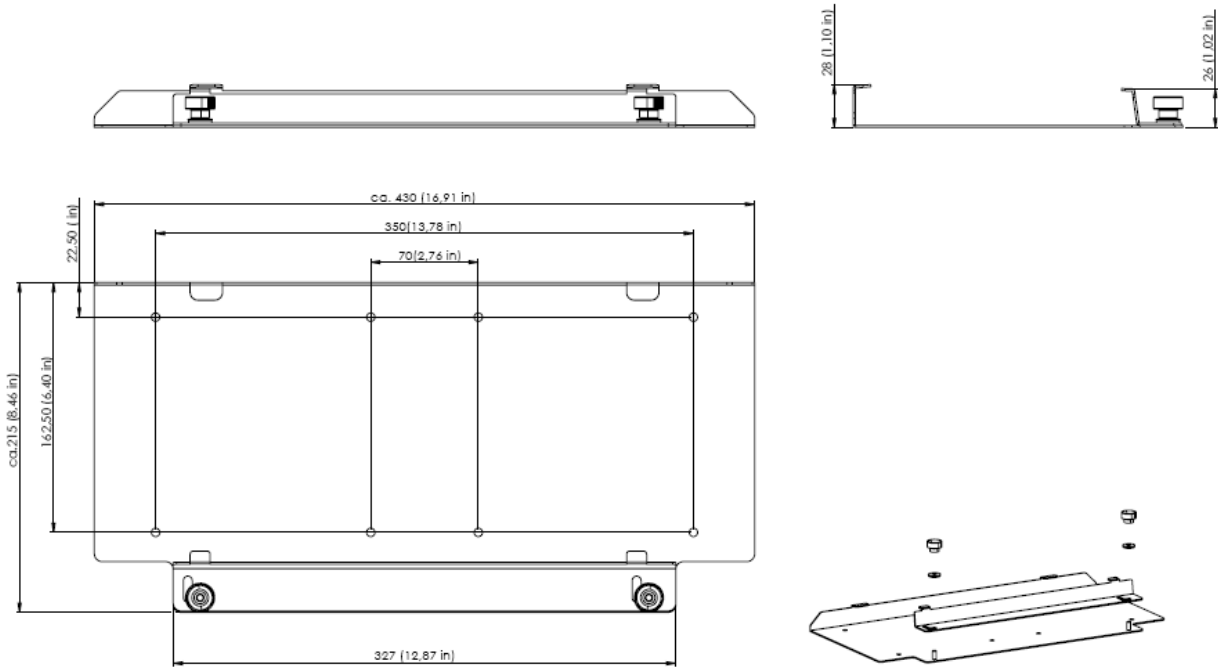
## Off Heat Set

Off Heat Hose diameter 100 mm (3.94 in)

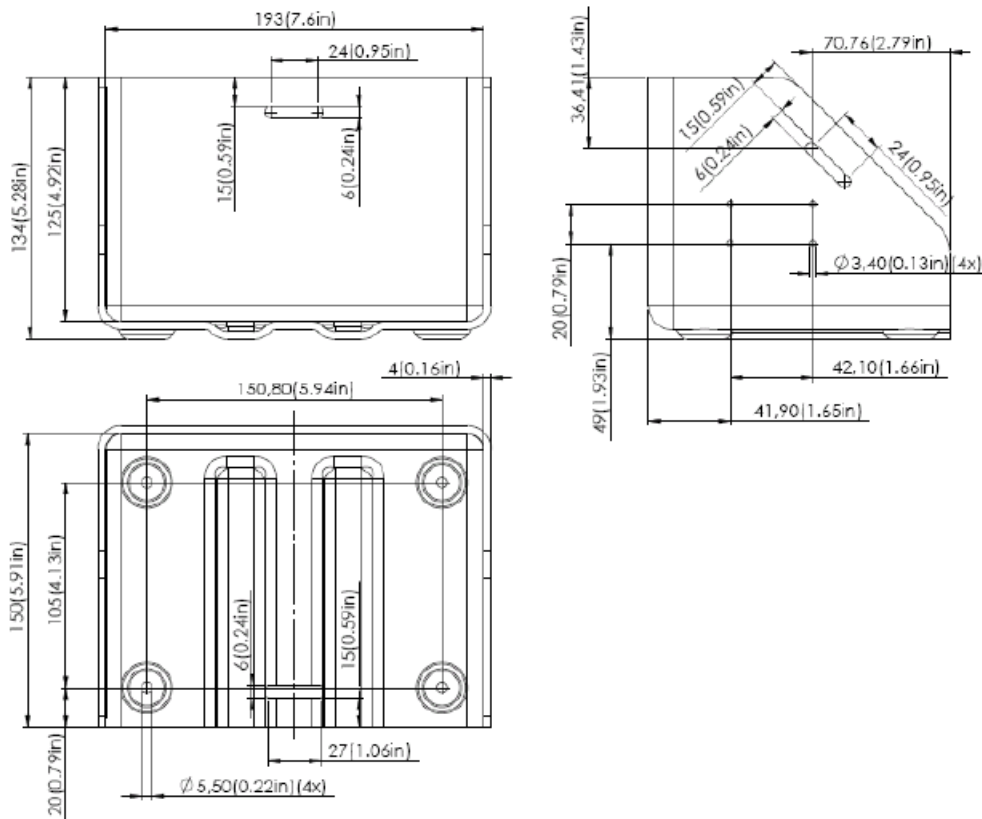
Off Heat Hose length (app.) 750 mm (29.53in)



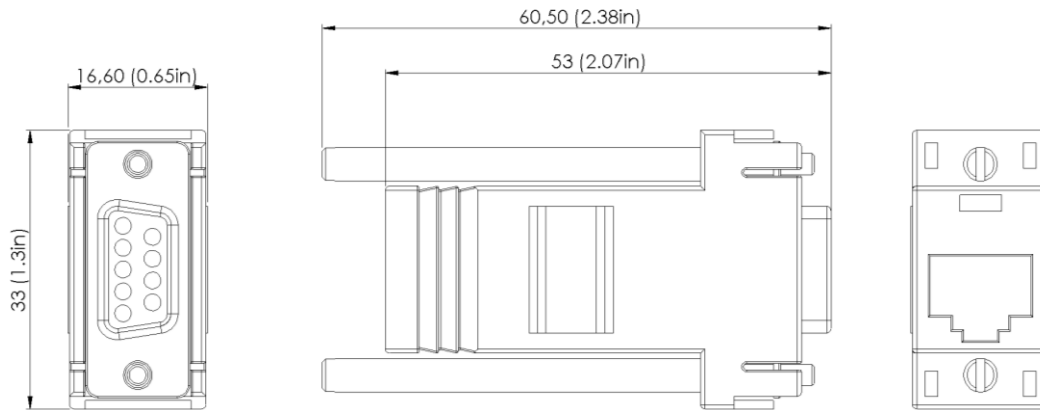
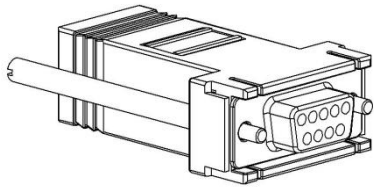
## Mounting Plate



## Fuel Cartridge Holder



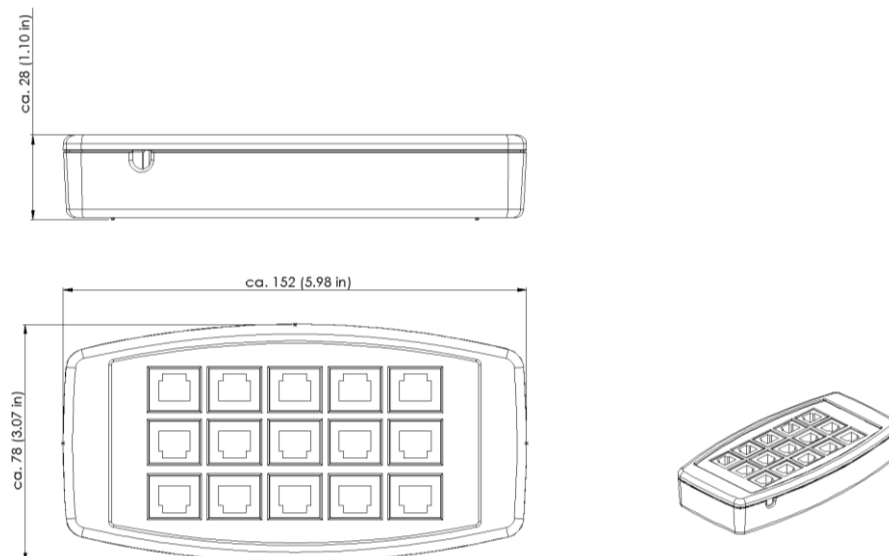
## Interface Adapter IA1



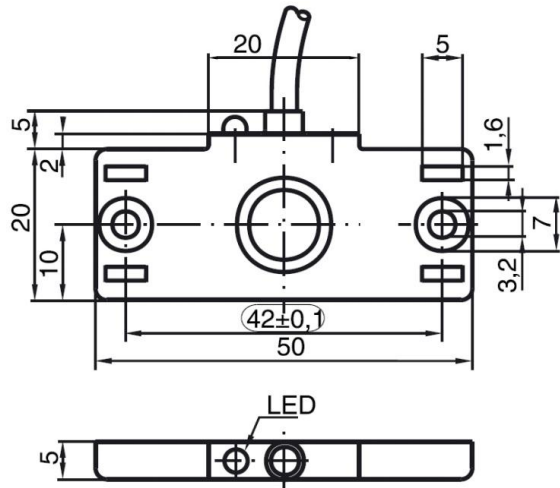
## Data Line DL1

Data line 5 m (16.40 ft)

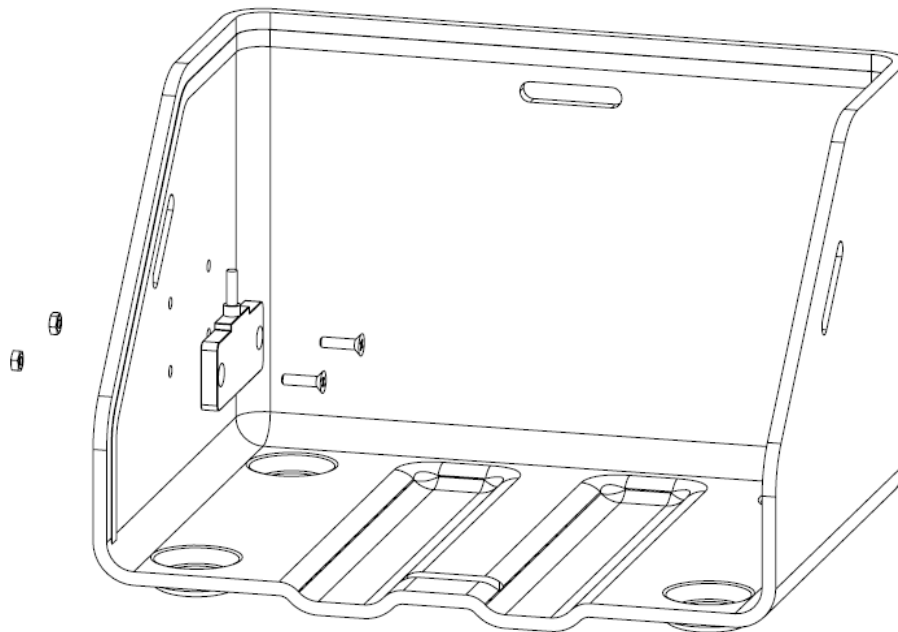
## Cluster Controller CC1



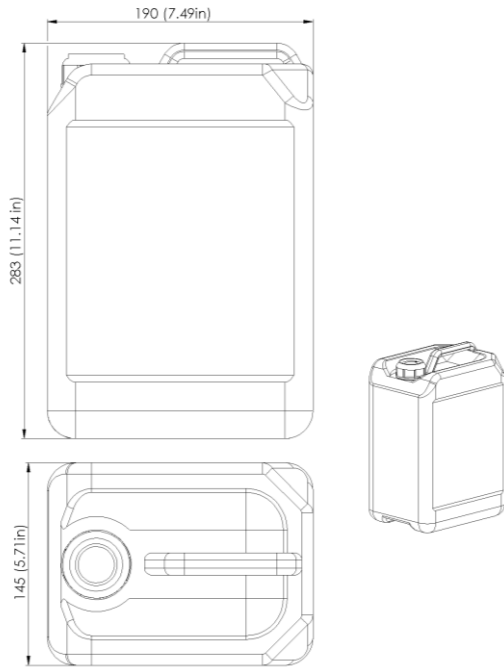
## Fuel Cartridge Sensor FS1



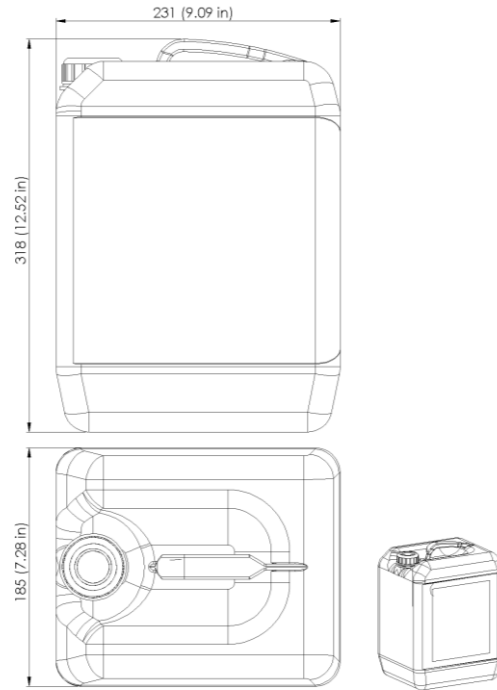
## FS1 mounting instructions



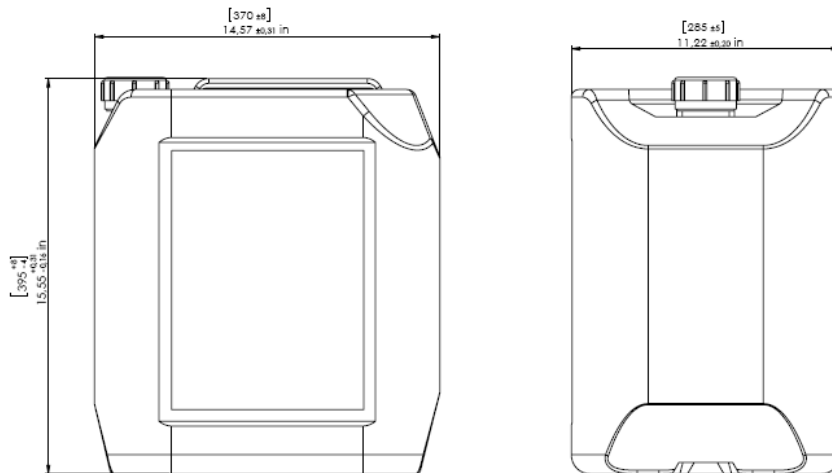
## Fuel Cartridge M5



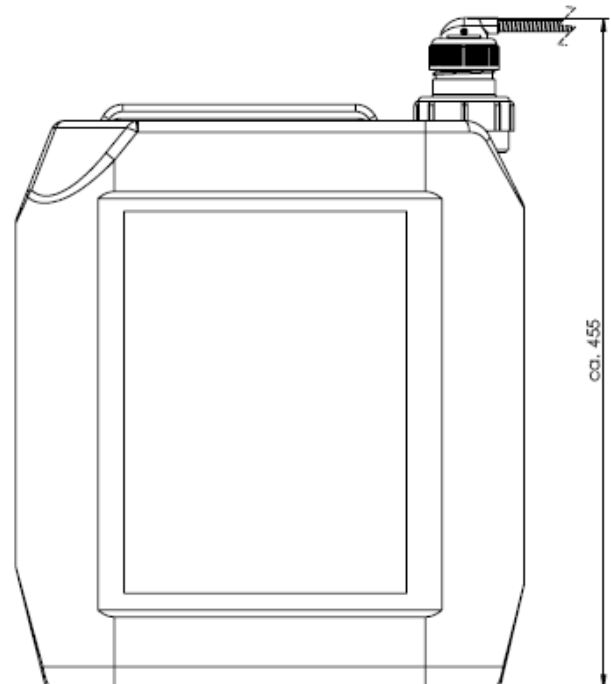
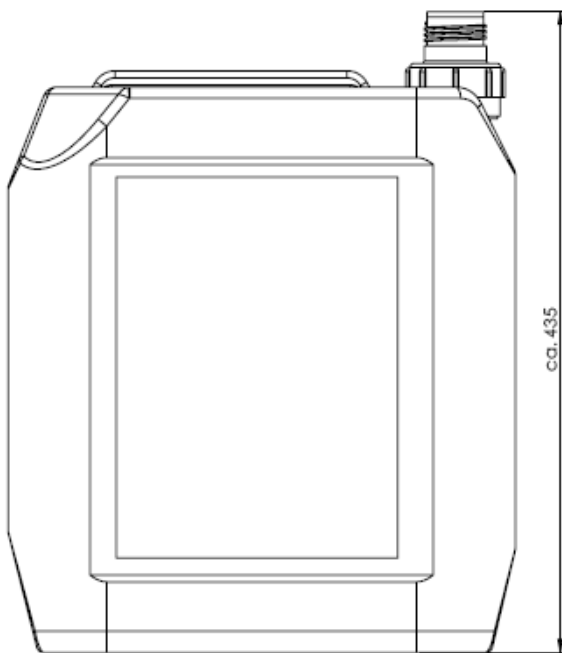
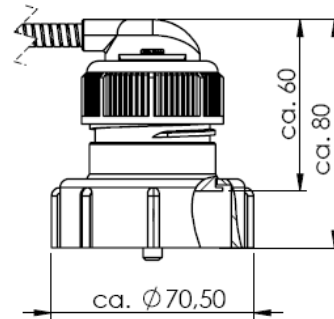
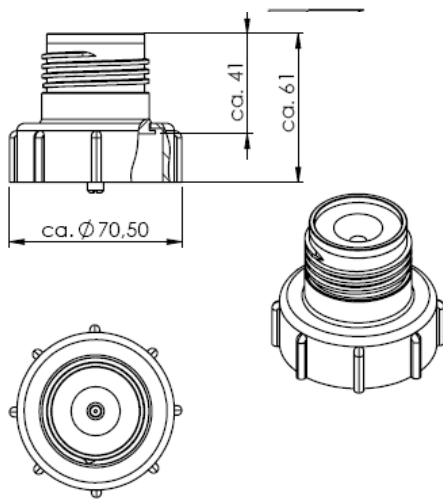
## Fuel Cartridge M10



## Fuel Cartridge M28



## M28 Adapter (dimensions in mm)



Headquaters Europe:

SFC Energy AG  
Eugen-Saenger-Ring 7  
D-85649 Brunthal-Nord, Germany

Hotline: +49 89 673 592 - 555

Fax: +49 89 673 592 369

[service@sfc.com](mailto:service@sfc.com)

[www.efoy-pro.com](http://www.efoy-pro.com)

USA:

SFC Energy Inc.  
7632 Standish Place  
Rockville, MD 20855, USA

Phone: +1 240 328 6688

Fax: +1 240 328 6694

[service-USA@sfc.com](mailto:service-USA@sfc.com)